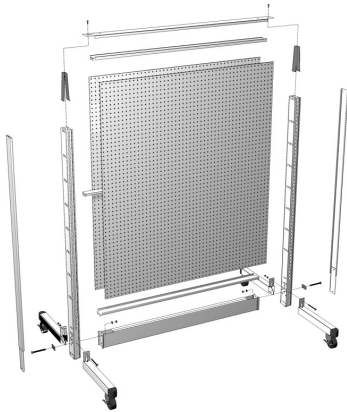


| You are in: Lozier Products > Products > Caster T-Leg Island Section

Caster T-Leg Island Section

Part Number:



Convert your Island Gondola into a mobile display.

Product Details:

- Utilizes standard backs and rails with bolt on lower spanner and bolt on T-legs
- T-Legs are available in different depths
- T-Leg Upright End Trim required for ends of run
- Create desired run length using a combination of 3' & 4' sections. Allow for required space to move assembled longer runs
- 2" sq. tubular legs with 3" locking caster provides 800# single and 400# continuous run section load rating
- Specialty Decks to fit T-Leg are available but not required

ORDERING INSTRUCTIONS

- Order desired number of island sections without base brackets, base fronts, decks, upright end trim or base end trim. (See Gondola System Section)
- Order four desired depth T-Legs for each independent section or two T-Legs for each continuous run section.
- Order one T-Leg Lower Spanner for each section
- Order one Caster T-Leg Top Stabilizer for each section.

ISLAND

Caster T-Leg Depth (BothSides)	Max. Upright Height
13"	78"
16"	96"
19"	96"
22"	96"

How to Order

COMPONENTS (ORDERED SEPARATELY)

A - Upright

B - Backs

C - Top Rail

D - Center Rail

E - Splicer Rail (if applicable - not shown)

F - Bottom Rail

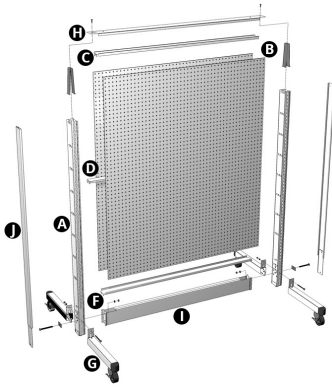
G - Caster T-Leg (four required for independent section or starter and two required for add-on sections)

H - Caster T-Leg Top Stabilizer

I - Caster T-Leg Lower Spanner

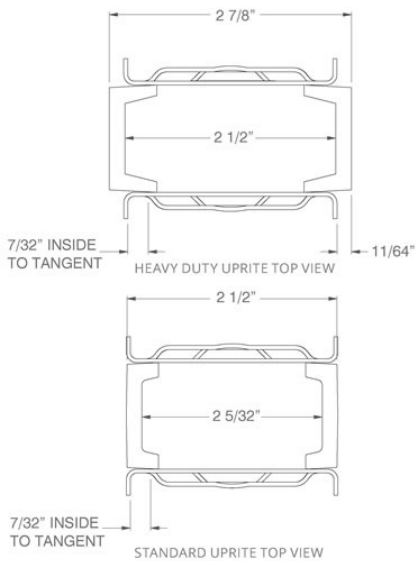
J - T-Leg Upright End Trim

TYPICAL ASSEMBLY



Uprite

- 3/16" thick face channel
- 1" slotted on center for maximum flexibility
- Use for Wall and Island Sections
- Steel welded construction
- Includes side flanges to retain Back material, leveling leg for uneven floors
- Includes Top Caps on Uprites 36"-66"H



Product Options and Numbers

Example Part #: **U 42 PLT**

Uprite: **U**, UH

U Height: 30", 36", **42"**, 48", 54", 60", 66", 72", 78", 84", 90", 96", 102", 108", 114", 120"

UH Height: 72", 78", 84", 90", 96", 108", 120"

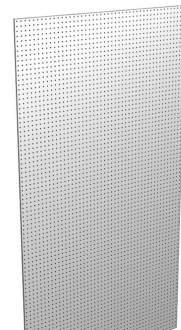
Standard Finish: **PLT**, Optional Catalog Colors

Suffix Key

PLT	- Platinum
U	- Uprite
UH	- Heavy Duty Uprite

Hardboard Backs

- Use one-piece Backs for heights 36"-72"
- For heights above 72" order 2 backs, see table below
- Pegboard 9/32" diameter holes, 1" on center
- To order the correct size Back, take Uprite height minus 6



Product Options and Numbers

Section Heights: 78"-120" Use 2-Piece Backs	
Uprite Height	Order Backs
78"	BE_36 + BE_36
84"	BE_30 + BE_48
90"	BE_36 + BE_48
96"	BE_42 + BE_48
102"	BE_66 + BE_30
108"	BE_66 + BE_36
114"	BE_66 + BE_42
120"	BE_66 + BE_48

Actual Back Height Information

Upright Height	Nominal Back Height	Actual Height
30"	24"	23 13/16"
36"	30"	29 13/16"
42"	36"	35 13/16"
48"	42"	41 13/16"
54"	48"	47 13/16"
60"	54"	53 13/16"
66"	60"	59 13/16"
72"	66"	65 13/16"

Actual Width Information	
Nominal Width	Actual Width
6"	4 17/32"
12"	10 17/32"
16"	14 17/32"
18"	16 17/32"
24"	22 17/32"
30"	28 17/32"
32"	30 17/32"
36"	34 17/32"
42"	40 17/32"
48"	46 17/32"

Actual Back Height for Extension Upright	
Upright Height	Actual Height
6"	5 13/16"
12"	11 13/16"
18"	17 13/16"
24"	23 13/16"
30"	29 13/16"
36"	35 13/16"
42"	41 13/16"
48"	47 13/16"

Top Rail

- All Island and Wall Sections require one Top, Center and Bottom Rail
- 2' and 30" sections use two Top Rails to make a Splicer Rail
- Electrical knockouts included on all Rails



Product Options and Numbers

Example Part #: **R 4 T PLT**

Rails: R

Width: 2', 30", 3', 4'

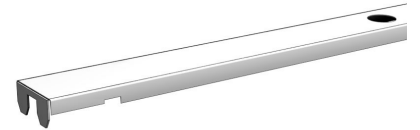
Top Rail: T

Standard Finish: PLT, Optional Catalog Colors

Suffix Key	
PLT	- Platinum Color

Center Rail

- All Island and Wall Sections require one Top, Center and Bottom Rail
- 96"H-144"H Backs require two Center Rails
- Center Rail finish is always N/A because it's hidden
- Electrical knockouts included on all Rails



Product Options and Numbers

Example Part #: **R 4 C N/A**

Rails: R

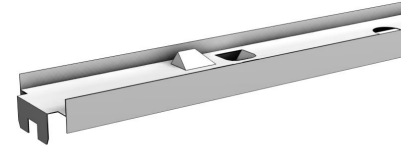
Width: 2', 30", 3', 4'

Center Rail: C

Standard Finish: N/A

Splicer Rail

- All Island and Wall Sections require one Top, Center and Bottom Rail
- 78"H - 144"H Backs require one Splicer Rail
- Splicer rail is not available in 2' or 30"
- Use two top rails for splicer rail on 2' and 30" wide sections.
- Electrical knockouts included on all Rails



Product Options and Numbers

Example Part #: **R 4 S PLT**

Rails:R

Width: 3', 4'

Splicer Rail: **S**

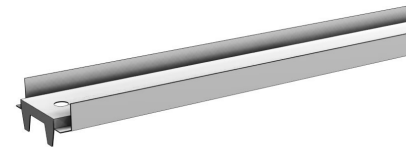
Standard Finish: **PLT**, Optional Catalog Colors

Suffix Key

PLT - Platinum Color

Bottom Rail

- All Island and Wall Sections require one Top, Center and Bottom Rail
- Electrical knockouts included on all Rails
- Also used for 2' and 30" Slotwall Backs



Product Options and Numbers

Example Part #: **R 4 B PLT**

Rails:R

Width: 2', 30", 3', 4'

Bottom Rail: B

Standard Finish: PLT, Optional Catalog Colors

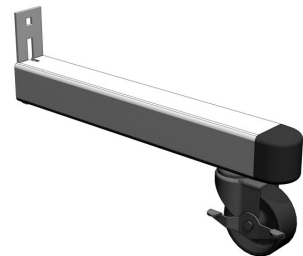
Suffix Key

PLT - Platinum Color

Caster T-Leg

- Converts Display Shelving Island into a mobile display with or without deck
- Available run lengths up to 12' long (3' & 4' combinations)
- Consists of 2" sq. tubular T-Leg with 3" diameter caster

Note: T-Leg Gondola also requires Caster T-Leg Bolt on Spanner for each section.



Product Options and Numbers

Part #: **TLEG 16 C PLT XH5**

Type: **TLEG**

Depth: 13", **16"**, 19", 22"

Style: **C (Caster)**

Leg Finish: **PLT**, Optional Catalog Colors

Cap Finish: **XH5**

Island	
Caster T-Leg Depth (Both Sides)	Max. Upright Height
13"	78"
16"	96"
19"	96"
22"	96"

For Islands, any combination of Leveler T-Legs can be used with any Lozier Uprite.

Caster T-Leg Top Stabilizer

Top stabilizer provides upper stability while display is being moved.

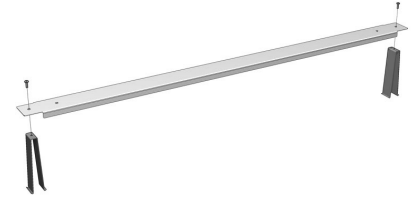
Product Options and Numbers

Example Part #: **HM9971** **PLT**

Caster T-Leg Top Stabilizer, 36" wide: **HM9971**

Caster T-Leg Top Stabilizer, 48" wide: **HM9972**

Standard Finish: **PLT**, Optional Catalog Colors



Suffix Key

PLT - Platinum

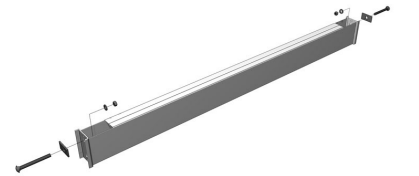
Caster T-Leg Lower Spanner

Provides lower stability for rolling display

Product Options and Numbers

Caster T-Leg Bolt On Spanner #: **CD4511**(48" wide), **CD4512**(36" wide)

Standard Finish: **PLT**, Optional Catalog Colors



Suffix Key

PLT - Platinum

T-Leg Uprite End Trim

One-piece trim snaps into first and last Upright or Extension Upright in a run

Product Options and Numbers

Example Part #: **CD412 8 PLT**

T-Leg Upright End Trim: **CD412**

Height: 48", 54", **60"**, 66", 72", 78", 84", 90", 96", 102", 108", 114", 120"

Standard Finish: **PLT**, Optional Catalog Colors

T-Leg Upright End Trim	
Part Number	Upright Height
CD4127	48"
CD4123	54"
CD4128	60"
CD4124	66"
CD4122	72"
CD41212	78"
CD4121	84"
CD41216	90"
CD41211	96"
CD41225	102"
CD41221	108"
CD41215	114"
CD41213	120"

Suffix Key

PLT

- Platinum