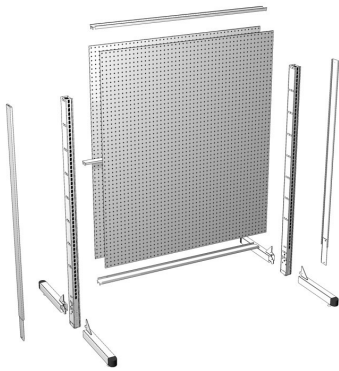


| You are in: Lozier Products > Products > Leveler T-Leg Sections

Leveler T-Leg Sections

Part Number:



Use Leveler T-Leg Sections if an open-base is desired.

Product Details:

- Utilizes standard backs and rails
- T-Legs are available in different depths
- T-Leg Upright End Trim required for ends of run
- Create desired run length using a combination of 3? & 4? sections
- Specialty Decks to fit T-Leg are available but not required

ORDERING INSTRUCTIONS

- Order desired number of Island or Wall Sections without base brackets, base fronts, decks, upright end trim or base end trim (See Gondola System Section).
- For Island Sections, order four desired depth T-Legs for each independent Island Section or two T-Legs for each add-on section.
- For Wall Sections, order two desired depth T-Legs for each independent Island Section or one T-Leg for each add-on section.
- Order two T-Leg upright end trims.

Wall Run	
T-Leg Depth	Max. Upright Height
13"	66"

16"	84"
19"	96"
22"	120"

For Islands, any combination of Leveler T-Legs can be used with any Lozier Uprite.

How to Order

COMPONENTS (ORDERED SEPARATELY)

A - Uprite

B - Backs

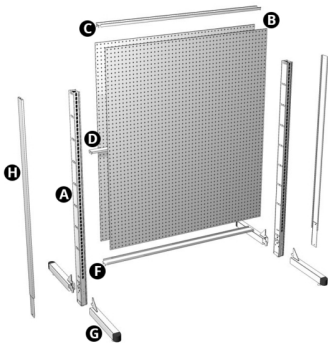
C - Top Rail

D - Center Rail

E - Splicer Rail (if applicable - not shown)

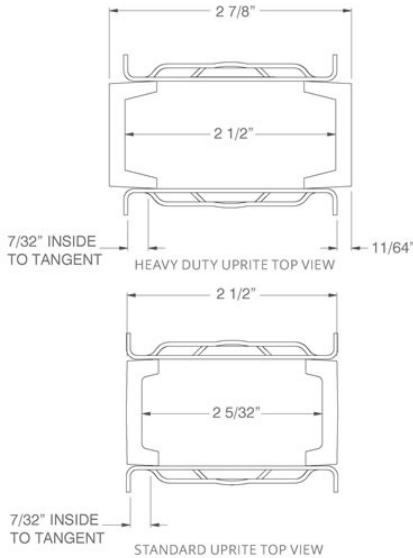
F = Bottom Rail

G - Leveler T-Leg



Uprite

- 3/16" thick face channel
- 1" slotted on center for maximum flexibility
- Use for Wall and Island Sections
- Steel welded construction
- Includes side flanges to retain Back material, leveling leg for uneven floors
- Includes Top Caps on Uprites 36"-66"H



Product Options and Numbers

Example Part #: **U 42 PLT**

Uprite: U, UH

U Height: 30", 36", **42"**, 48", 54", 60", 66", 72", 78", 84", 90", 96", 102", 108", 114", 120"

UH Height: 72", 78", 84", 90", 96", 108", 120"

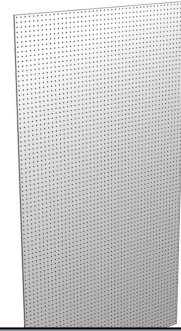
Standard Finish: **PLT**, Optional Catalog Colors

Suffix Key

PLT	- Platinum
U	- Uprite
UH	- Heavy Duty Uprite

Hardboard Backs

- Use one-piece Backs for heights 36"-72"
- For heights above 72" order 2 backs, see table below
- Pegboard 9/32" diameter holes, 1" on center
- To order the correct size Back, take Upright height minus 6



Product Options and Numbers

Section Heights: 78"-120" Use 2-Piece Backs		
Upright Height	Order Backs	
78"	BE_36 + BE_36	
84"	BE_30 + BE_48	
90"	BE_36 + BE_48	
96"	BE_42 + BE_48	
102"	BE_66 + BE_30	
108"	BE_66 + BE_36	
114"	BE_66 + BE_42	
120"	BE_66 + BE_48	

Actual Back Height Information		
Upright Height	Nominal Back Height	Actual Height
30"	24"	23 13/16"
36"	30"	29 13/16"
42"	36"	35 13/16"
48"	42"	41 13/16"
54"	48"	47 13/16"
60"	54"	53 13/16"
66"	60"	59 13/16"
72"	66"	65 13/16"

Actual Width Information	
Nominal Width	Actual Width
6"	4 17/32"
12"	10 17/32"
16"	14 17/32"
18"	16 17/32"

24"	22 17/32"
30"	28 17/32"
32"	30 17/32"
36"	34 17/32"
42"	40 17/32"
48"	46 17/32"

Actual Back Height for Extension Uprite

Uprite Height	Actual Height
6"	5 13/16"
12"	11 13/16"
18"	17 13/16"
24"	23 13/16"
30"	29 13/16"
36"	35 13/16"
42"	41 13/16"
48"	47 13/16"

Top Rail

- All Island and Wall Sections require one Top, Center and Bottom Rail
- 2' and 30" sections use two Top Rails to make a Splicer Rail
- Electrical knockouts included on all Rails



Product Options and Numbers

Example Part #: **R 4 T PLT**

Rails:R

Width: 2', 30", 3', 4'

Top Rail: T

Standard Finish: PLT, Optional Catalog Colors

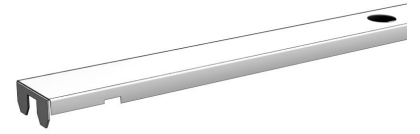
Suffix Key

PLT

- Platinum Color

Center Rail

- All Island and Wall Sections require one Top, Center and Bottom Rail
- 96"H-144"H Backs require two Center Rails
- Center Rail finish is always N/A because it's hidden
- Electrical knockouts included on all Rails



Product Options and Numbers

Example Part #: **R 4 C N/A**

Rails:**R**

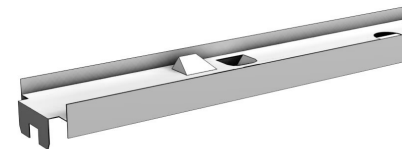
Width: 2', 30", 3', **4'**

Center Rail: **C**

Standard Finish: **N/A**

Splicer Rail

- All Island and Wall Sections require one Top, Center and Bottom Rail
- 78"H - 144"H Backs require one Splicer Rail
- Splicer rail is not available in 2' or 30"
- Use two top rails for splicer rail on 2' and 30" wide sections.
- Electrical knockouts included on all Rails



Product Options and Numbers

Example Part #: **R 4 S PLT**

Rails:**R**

Width: 3', 4'

Splicer Rail: S

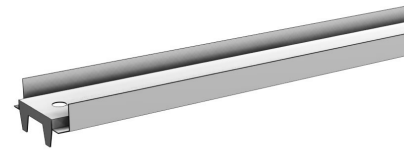
Standard Finish: PLT, Optional Catalog Colors

Suffix Key

PLT - Platinum Color

Bottom Rail

- All Island and Wall Sections require one Top, Center and Bottom Rail
- Electrical knockouts included on all Rails
- Also used for 2' and 30" Slotwall Backs



Product Options and Numbers

Example Part #: R 4 B PLT

Rails:R

Width: 2', 30", 3', 4'

Bottom Rail: B

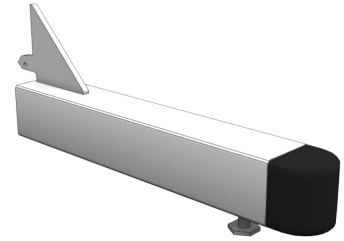
Standard Finish: PLT, Optional Catalog Colors

Suffix Key

PLT - Platinum Color

Leveler T-Leg

- Converts Display Shelving Wall or Island into a no-deck unit
- Leveler T-Legs install on any length Wall or Island run
- Caster T-Legs available for run lengths up to 12' long (3' & 4' combinations)
- Consists of 2" sq. tubular T-Leg with leveler or caster



Product Options and Numbers

Example Part #: **TLEG 16 PLT XH5**

Type: **TLEG**

Depth: 13", **16"**, 19", 22"

Leg Finish: **PLT**, Optional Catalog Colors

Cap Finish: **XH5**

Suffix Key

PLT	- Platinum
XH5	- Black Plastic Cap

Wall Run (Leveler Sections Only)

T-Leg Depth	Max. Upright Height
13"	66"
16"	84"
19"	96"
22"	120"

For Islands, any combination of Leveler T-Legs can be used with any Lozier Upright.

T-Leg Upright End Trim

One-piece trim snaps into first and last Uprite or Extension Uprite in a run

Product Options and Numbers

Example Part #: **CD412 8 PLT**

T-Leg Uprite End Trim: **CD412**

Height: 48", 54", **60"**, 66", 72", 78", 84", 90", 96", 102", 108", 114", 120"

Standard Finish: **PLT**, Optional Catalog Colors

T-Leg Uprite End Trim	
Part Number	Uprite Height
CD4127	48"
CD4123	54"
CD4128	60"
CD4124	66"
CD4122	72"
CD41212	78"
CD4121	84"
CD41216	90"
CD41211	96"
CD41225	102"
CD41221	108"
CD41215	114"
CD41213	120"

Suffix Key

PLT

- Platinum