

| You are in: [Lozier Products](#) > [Products](#) > [Uprite](#)

Uprite

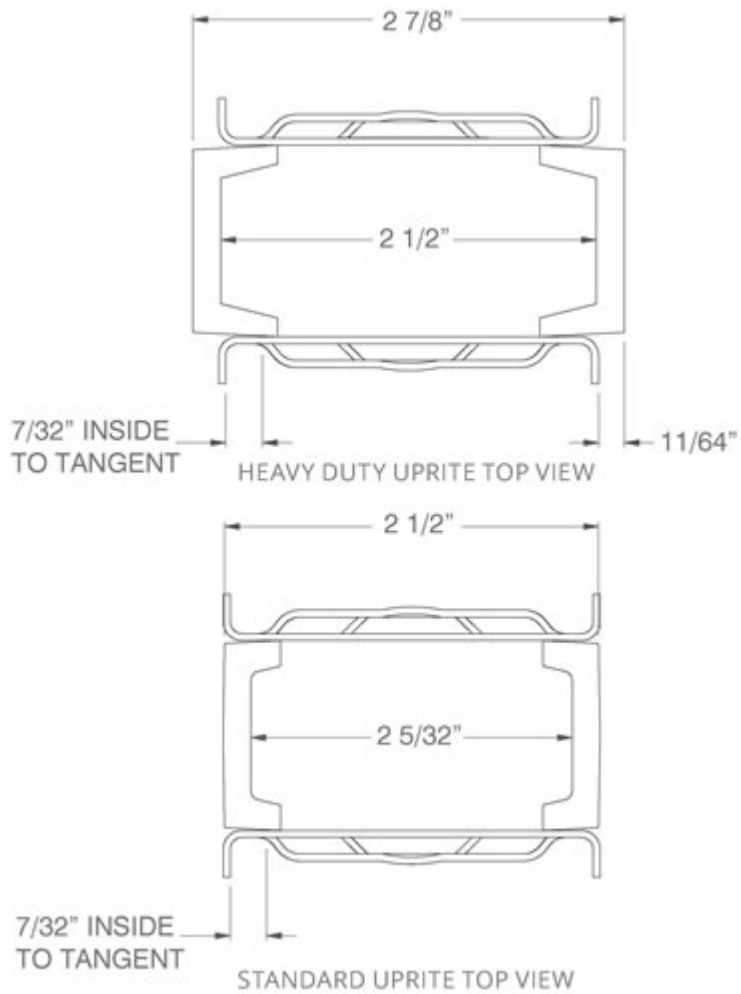
Part Number: **U, UH**



Uprites are an essential component, supporting your Backs, Rails, Shelves, Decks, Base Brackets and more. Each face of the Uprite serves a purpose in supporting your Gondola.

Product Details:

- 3/16" thick face channel
- 1" slotted on center for maximum flexibility
- Use for Wall and Island Sections
- Steel welded construction
- Includes side flanges to retain Back material, leveling leg for uneven floors
- Includes Top Caps on Uprites 36"-66"H



Product Options and Numbers

Example Part #: **U 42 PLT**

Upright: **U**, UH

U Height: 30", 36", **42"**, 48", 54", 60", 66", 72", 78", 84", 90", 96", 102", 108", 114", 120"

UH Height: 72", 78", 84", 90", 96", 108", 120"

Standard Finish: **PLT**, Optional Catalog Colors

Suffix Key

PLT	- Platinum
U	- Uprite
UH	- Heavy Duty Uprite