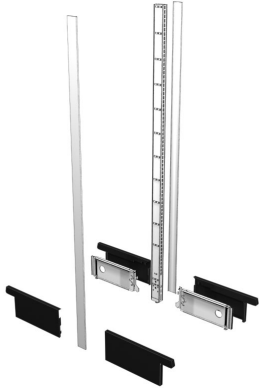


| You are in: Lozier Products > Products > Island End

Island End

Part Number:



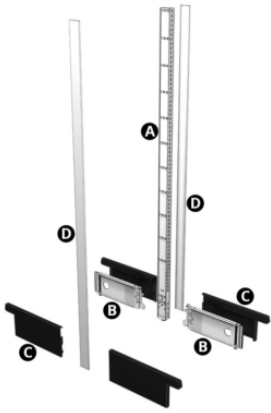
Add these components to your Island Section(s) to finish off an Island run.

Product Details:

Add these components to your Island Section(s) to finish off an Island run.

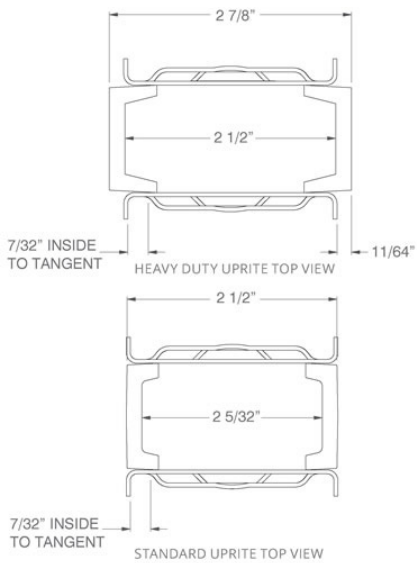
How to Order

| COMPONENTS (ORDER SEPARATELY) | QTY. |
|---------------------------------------|-----------|
| A. Uprite | 1 |
| Base Bracket (Standard or Heavy Duty) | 2 |
| C. Base End Trim | 2 (pairs) |
| D. Uprite End Trim | 2 |



Uprite

- 3/16" thick face channel
- 1" slotted on center for maximum flexibility
- Use for Wall and Island Sections
- Steel welded construction
- Includes side flanges to retain Back material, leveling leg for uneven floors
- Includes Top Caps on Uprites 36"-66"H



Product Options and Numbers

Example Part #: **U 42 PLT**

Uprite: **U**, UH

U Height: 30", 36", **42"**, 48", 54", 60", 66", 72", 78", 84", 90", 96", 102", 108", 114", 120"

UH Height: 72", 78", 84", 90", 96", 108", 120"

Standard Finish: **PLT**, Optional Catalog Colors

Suffix Key

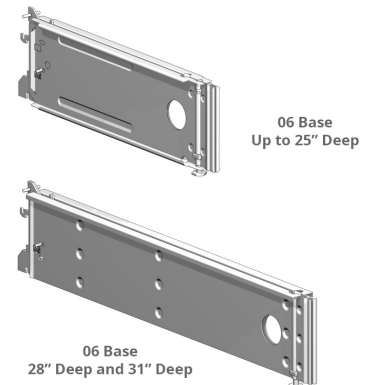
| | |
|------------|---------------------|
| PLT | - Platinum |
| U | - Uprite |
| UH | - Heavy Duty Uprite |

Spring Locking Base Bracket

- Features 2" conduit hole for greater electrical access
- Includes leveling legs for uneven flooring
- Install straight in using integral spring latch
- 28" deep and 31" deep base brackets are only Heavy Duty. There are no Standard Duty 28" deep or 31" deep base brackets.

NOTE

Actual Bracket length is 3" less than nominal Deck depth. Order CHR Base Brackets when using Open Base Fronts. (This is done automatically when section/end part numbers are ordered with OBF's.)



Product Options and Numbers

Example Part #: **BB 19 06 S PTD**

Base Bracket:**BB (Standard Duty)**, BBH (Heavy Duty)

Deck Depth BB:13", 16", **19"**, 22", 25", 28", 31"

Deck Depth BBH:16", 19", 22", 25"

Base Height: 06, LB

Spring Locking Base Bracket: S

Standard Finish: PTD,Optional CHR

* BB28 and BB31 are rated for Heavy Duty

| Suffix Key | |
|------------|------------------|
| 06 | - 06 Base (8"H) |
| LB | - Low Base (6"H) |
| PTD | - Painted Random |
| CHR | - Charcoal Black |

Base End Trim

- Attaches to the first and last Base Bracket in a run
- Comes in a pair
- One pair is required to finish a Wall run
- Two pairs are required to finish an Island run



Product Options and Numbers

Example Part #: **BET 13 06 CHR**

Base End Trim:BET

Deck Depth: 13", 16", 19", 22", 25", 28", 31"

Base Height: 06, LB

Standard Finish: CHR

| Suffix Key | |
|------------|------------------|
| 06 | - 06 Base (8"H) |
| LB | - Low Base (6"H) |
| CHR | - Charcoal Black |

Upright and Extension Upright End Trim

- One-piece trim (Two-pieces if 102"-144"H) snaps onto first and last Uprite or Extension Uprite in a run
- Can be used on both sides of Extension Uprites where Extension Backs are not used



Product Options and Numbers

Example Part #: **UET 48 PLT**

Uprite/Extension Uprite End Trim: **UET**

Height: 6", 12", 18", 24", 30", 36", 42", **48"**, 54", 60", 66", 72", 78", 84", 90", 96", 102", 108", 114", 120"

Standard Finish: **PLT**, Optional Catalog Colors

Suffix Key

PLT

- Platinum